

## XSA-65 Pin Fin Heat Sink $\phi$ 70mm for Xicato

### Features & Benefits

- Designed for Xicato XSM LED spot modules  
 Xicato thermal class G ( 60° tilt angle, 40°C ambient )
- Thermal resistance Rth 2.5°C/W
- Diameter 70mm base - Standard height 60mm  
 other heights on request
- Forged from highly conductive aluminum AL-1070
- Standard colors - clear anodised - black anodised  
 Other colors and finishings on request  
 ( all RAL/Pantone colors available )



### Order Information

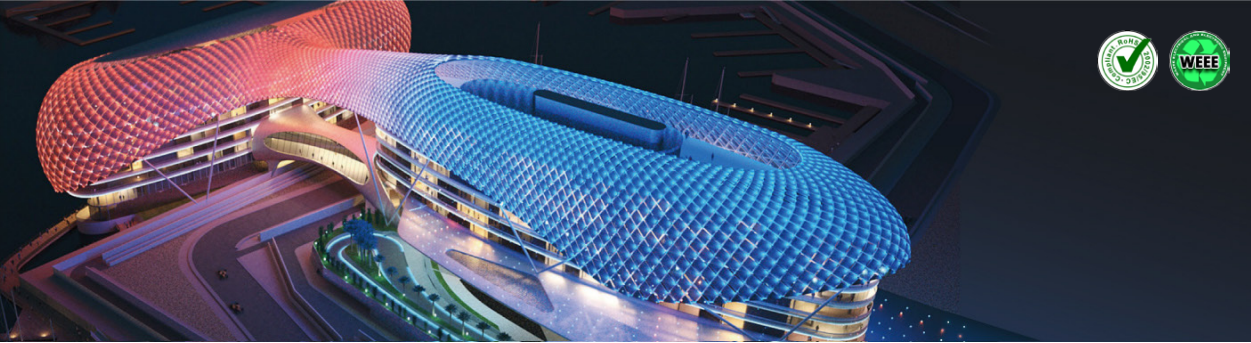
# XICATO

Example : XSA-65-M2-B-3

XSA-65- **1** - **2** - **3**

- 1** XSM Mounting  
 "M2" - M2 screw threads  
 "M3" - M3 screw threads
- 2** Anodising color  
 "B" - Black Anodised  
 "C" - Clear Anodised  
 "Z" - Custom ( specify )
- 3** Mounting Options - see graphics for details  
 Combinations available  
 Ex. order code - 13  
 means option 1 and 3 combined

MOUNTING OPTION	THREAD	THREAD DEPTH
NONE/BLANC	NONE	NONE
1	M14 x 1.5	5mm MIN.
2	#9/16-12UNC	0.19" MIN.
3	M70 x 2	Base contour



## XSA-65 Pin Fin Heat Sink $\phi$ 70mm for Xicato

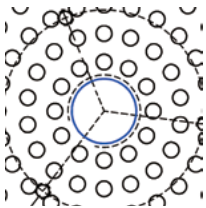
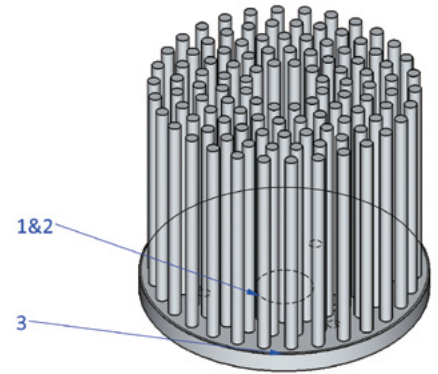
### Product Details

	Total Height <sup>mm</sup>	Volume <sup>mm<sup>3</sup></sup>	Cooling Surface <sup>mm<sup>2</sup></sup>	Weight <sup>g</sup>
XSA-65	60	62191.75	66914.35	167.92

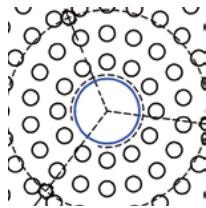
#### Notes:

1. MechaTronix reserves the right to change products or specifications without prior notice.
2. Mentioned models are an extraction of the full product range. For specific mechanical adaptations please contact MechaTronix.
3. All these types are made by forging process from highly conductive aluminum type AL1070 with a typical Thermal Conductivity of 209W/m-K.

### Mounting Options



**1** Mechanical version  
Center hole tapping  
M14x1.5  
Through out 5mm base

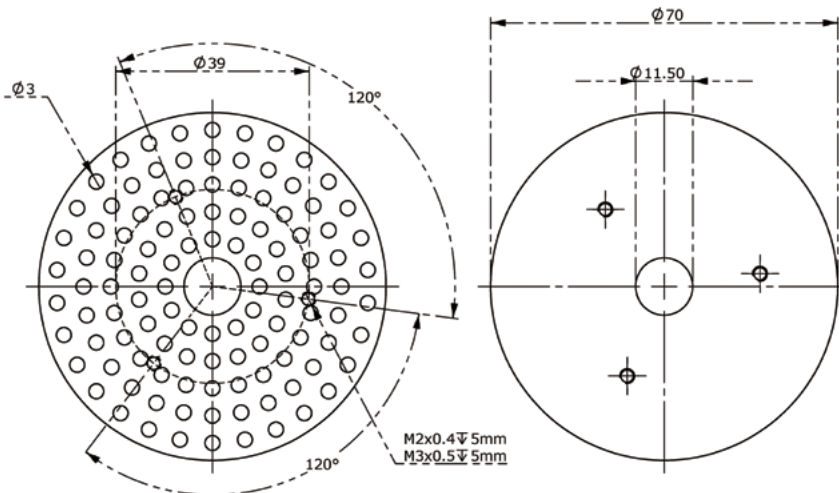


**2** Mechanical version  
Center hole tapping  
#9/16-12UNC  
Through out 5mm base



**3** Mechanical version  
M70x2  
Screw thread around  
base contour

### Drawings & Dimensions



### Example : XSA-65-M2

