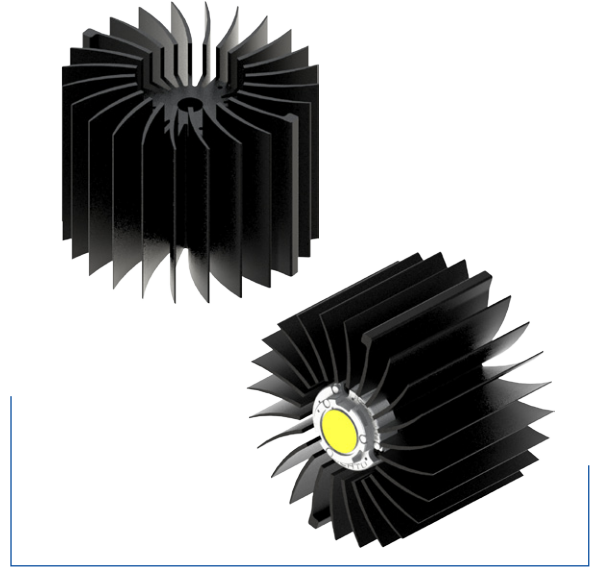


XSA-54 Xicato XSM LED Star Heat Sink ø 120mm

Features & Benefits

- Designed for Xicato XSM series - thermal class Q
- Xicato accessory reference XSA-54
M2/M3 mounting screws are supported
- Thermal resistance Rth 1.0°C/W
- Diameter 120mm base - Standard height 87mm
other heights on request
- Extruded from highly conductive aluminium
- Standard colors - clear anodised - black anodised
Other colors and finishings on request
(all RAL/Pantone colors available)



Order Information

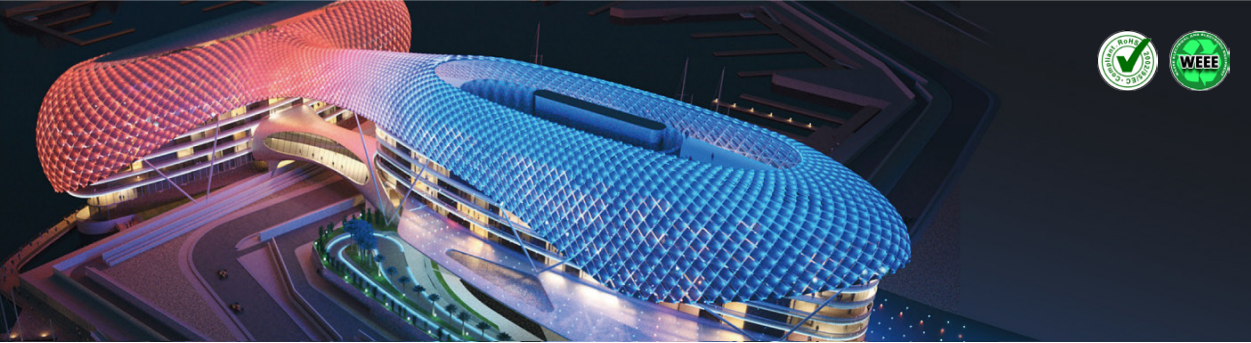
XICATO

Example : XSA-54-M2-B-13

XSA-54 - **1** - **2** - **3**

- 1** XSM Mounting
 "M2" - M2 screw threads
 "M3" - M3 screw threads
- 2** Anodising color
 "B" - Black Anodised
 "C" - Clear Anodised
 "Z" - Custom (specify)
- 3** Mounting Options - see graphics for details
 Combinations available
 Ex. order code - 13
 means option 1 and 3 combined

MOUNTING OPTION	THREAD	THREAD DEPTH
NONE/BLANC	NONE	NONE
1	M3 x 0.5	5mm MIN.
2	#6-32 UNC	0.2" MIN.
3	M3 x 0.5	5mm MIN.
4	#6-32 UNC	0.2" MIN.
5	M3 x 0.5	5mm MIN.



XSA-54 Xicato XSM LED Star Heat Sink ϕ 120mm

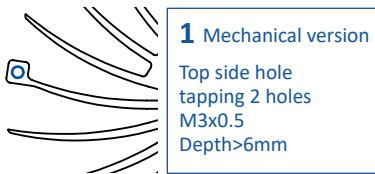
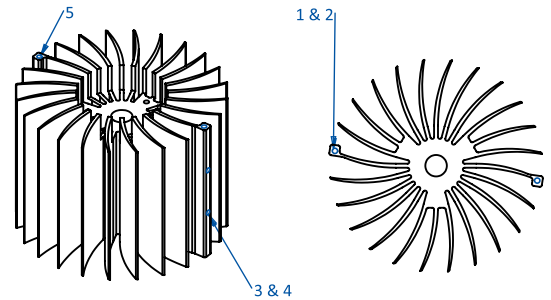
Product Details

	Total Height ^{mm}	Volume ^{mm³}	Cooling Surface ^{mm²}	Weight ^g
XSA-54	87	217487.51	187379.99	587.22

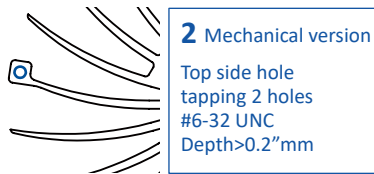
Mounting Options

Notes:

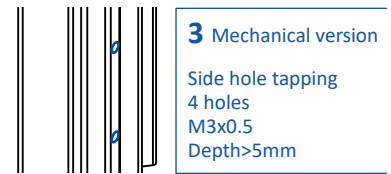
1. MechaTronix reserves the right to change products or specifications without prior notice.
2. Mentioned models are an extraction of the full product range. For specific mechanical adaptations please contact MechaTronix.
3. All these types are made by extrusion process from highly conductive aluminum type AL6063 T5 with a typical Thermal Conductivity of 209W/m-K.



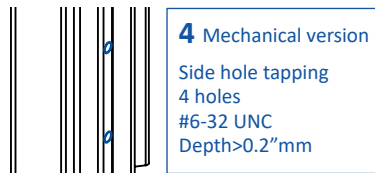
1 Mechanical version
Top side hole tapping 2 holes
M3x0.5
Depth>6mm



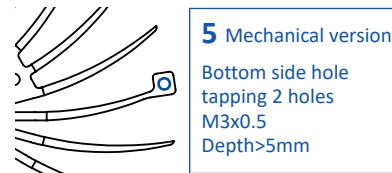
2 Mechanical version
Top side hole tapping 2 holes
#6-32 UNC
Depth>0.2"mm



3 Mechanical version
Side hole tapping 4 holes
M3x0.5
Depth>5mm



4 Mechanical version
Side hole tapping 4 holes
#6-32 UNC
Depth>0.2"mm



5 Mechanical version
Bottom side hole tapping 2 holes
M3x0.5
Depth>5mm

Drawings & Dimensions

Example : XSA-54-M2

