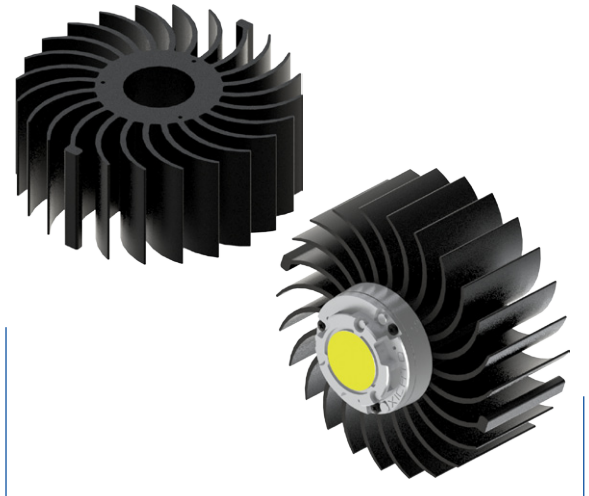




XSA-31 Xicato XSM LED Star Heat Sink ø 99mm

Features & Benefits

- Designed for Xicato XSM series - thermal class K
- Xicato accessory reference XSA-31
- Thermal resistance Rth 1.55°C/W
- Can be foreseen from M2 or M3 mounting holes
- Diameter 99.4mm base
- Standard height 40mm - other heights on request
- Extruded from highly conductive aluminium
- Standard colors - clear anodised - black anodised
- Other colors and finishings on request
 (all RAL/Pantone colors available)



Order Information

XICATO

Example : XSA-31-M2-B-13

XSA-31 - **1** - **2** - **3**

- 1** XSM Mounting
 "M2" - M2 screw threads
 "M3" - M3 screw threads
- 2** Anodising color
 "B" - Black Anodised
 "C" - Clear Anodised
 "Z" - Custom (specify)
- 3** Mounting Options - see graphics for details
 Combinations available
 Ex. order code - 13
 means option 1 and 3 combined

MOUNTING OPTION	THREAD	THREAD DEPTH
NONE/BLANC	NONE	NONE
1	M3 x 0.5	6mm MIN.
2	#6-32 UNC	0.35" MIN.
3	M2 x 0.4	4mm MIN.
4	#4-40 UNC	0.17" MIN.
5	M2 x 0.4	4mm MIN.



XSA-31 Xicato XSM LED Star Heat Sink ϕ 99mm

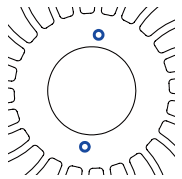
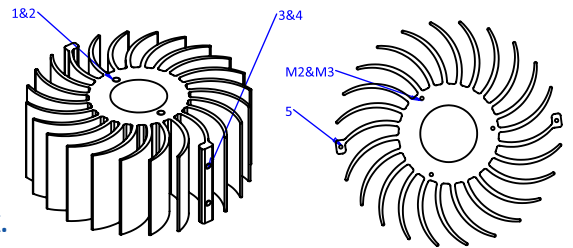
Product Details

	Total Height ^{mm}	Rth($^{\circ}$ C/W)	Volume ^{mm³}	Cooling Surface ^{mm²}	Weight ^{gr}
XSA-31	40.00	1.55	96744.17	74234.59	261.21

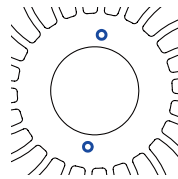
Mounting Options

Notes:

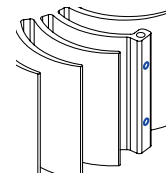
1. MechaTronix reserves the right to change products or specifications without prior notice.
2. Mentioned models are an extraction of the full product range. For specific mechanical adaptations please contact MechaTronix.
3. All these types are made by extrusion process from highly conductive aluminum type AL6063 T5 with a typical Thermal Conductivity of 209W/m-K.



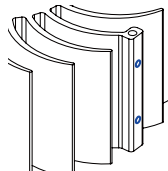
1 Mechanical version
Top side center hole tapping 2 holes
M3x0.5
Depth>6mm



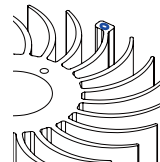
2 Mechanical version
Top side center hole tapping 2 holes
#6-32 UNC
Depth>0.35"mm



3 Mechanical version
Side hole tapping 4 holes M2x0.4
Depth>4mm

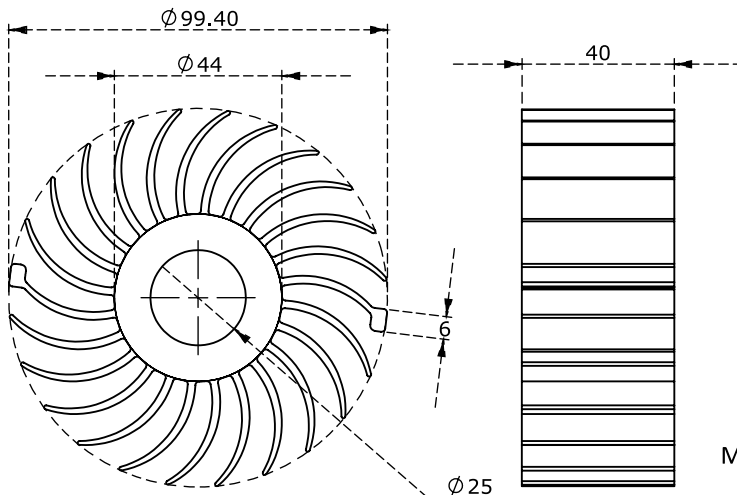


4 Mechanical version
Side hole tapping 4 holes #4-40 UNC
Depth>0.17"mm

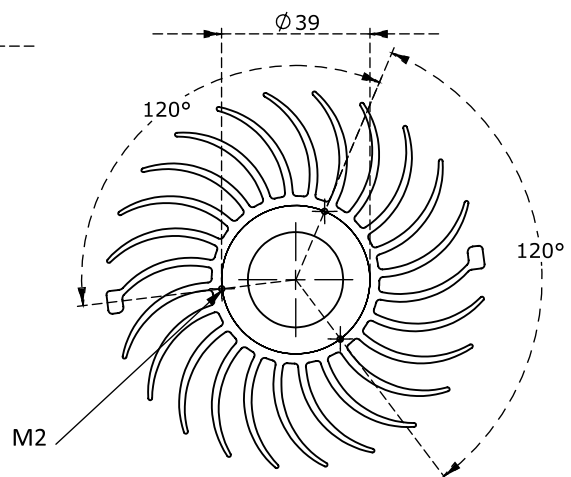


5 Mechanical version
Bottom side hole tapping 2 holes
M2x0.4
Depth>4mm

Drawings & Dimensions



Example : XSA-31-M2





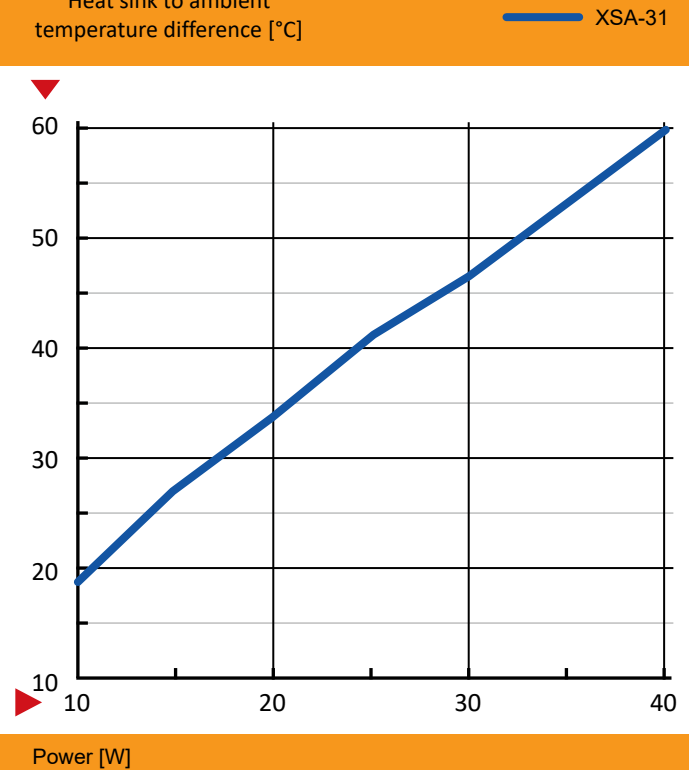
XSA-31 Xicato XSM LED Star Heat Sink ϕ 99mm

Thermal Data

Heat sink base to ambient thermal resistance, R_{hs-amb} [K/W]

Power (W)	XSA-31
10	1.9
15	1.8
20	1.7
25	1.6
30	1.6
40	1.5
Rth Av.	1.55

Heat sink to ambient temperature difference [°C]



Spreading resistance, R_{sp} [K/W]

Base thickness	Ratio of light engine (LE) area over heat sink base area, ALE/Ahs [%]	t=2mm	t=3mm	t=5mm	t=10mm
		1%	0.87	0.61	0.41
3%	0.68	0.47	0.30	0.20	
5%	0.54	0.37	0.24	0.15	
8%	0.44	0.30	0.19	0.12	
11%	0.36	0.24	0.15	0.09	
20%	0.24	0.17	0.10	0.06	
32%	0.16	0.11	0.07	0.04	
62%	0.06	0.04	0.03	0.01	

Heat sink base spreading resistance, R_{sp} [K/W], based on base thickness, t

