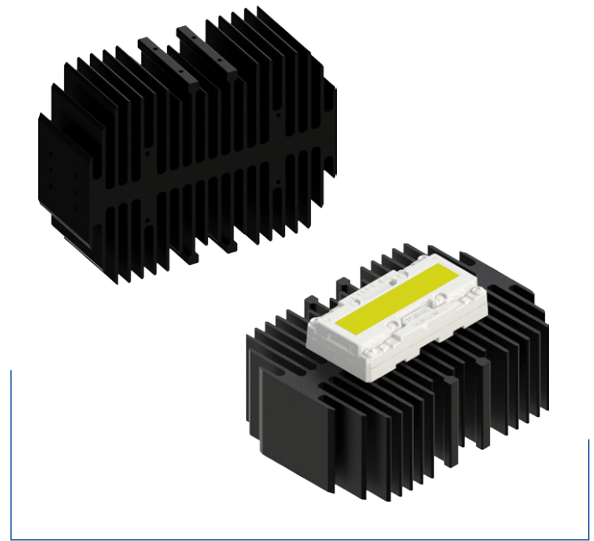




XLA-15 Xicato XLM LED Heat Sink 101mm(W)x140mm(L)x50mm(H)

Features & Benefits

- Designed for Xicato XLM LED series - thermal class T
- Xicato accessory reference XLA-15
- Foreseen from M3 mounting holes
- Dimensions - 101mm(W) x 140mm(L) x 50mm(H)
- Extruded from highly conductive aluminium
- 2 standard colors - clear anodised - black anodised



Order Information

XICATO

Example : XLA-15-M3-B-1

XLA-15-M3- **A** - **B**

- A** Anodising Color
 B - Black
 C - Clear
 Z - Custom (specify)

- B** Mounting Options - see graphics for details
 Combinations available
 Ex. order code - 13
 means option 1 and 3 combined

MOUNTING OPTION	THREAD	THREAD DEPTH
NONE/BLANC	NONE	NONE
1	M3 X 0.5	9mm MIN.
2	#6-32 UNC	0.35" MIN.
3	M3 X 0.5	9mm MIN.
4	#6-32 UNC	0.35" MIN.
5	M3 X 0.5	8mm MIN.
6	#6-32 UNC	0.35" MIN.
7	M6 X 1.0	15mm MIN.
8	1/4-20 UNC	0.60" MIN.



XLA-15 Xicato XLM LED Heat Sink 101mm(W)x140mm(L)x50mm(H)

Product Details

Model n°	XLA-15
Dimension (mm)	101 x 140 x 50
Volume (mm ³)	262476
Cooling Surface (mm ²)	173511
Weight (gr)	709
Heat Sink Material	AL6063 T5

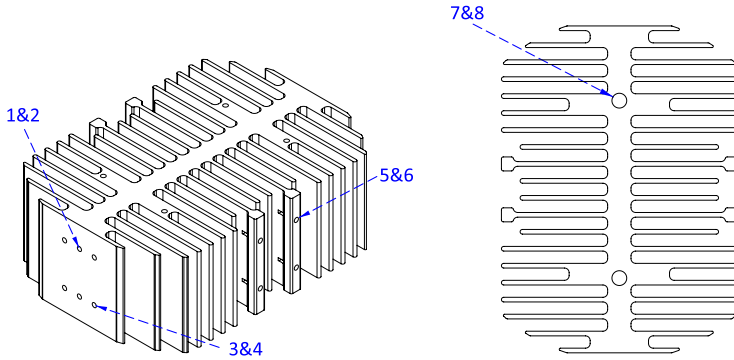
Notes:

- MechaTronix reserves the right to change products or specifications without prior notice.
- Mentioned models are an extraction of full product range.
- For specific mechanical adaptations please contact MechaTronix.
- 3D files are available in ParaSolid, STP and IGS on request.



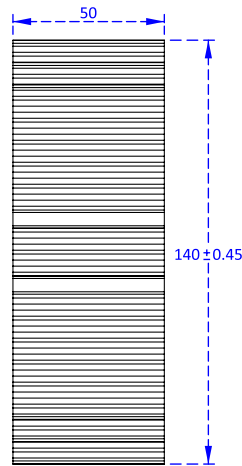
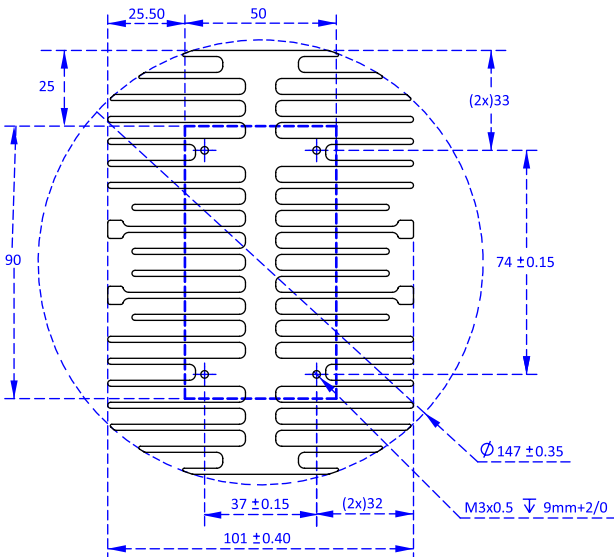
XLA-15 Xicato XLM LED Heat Sink 101mm(W)x140mm(L)x50mm(H)

Mounting Instructions



	1 Mechanical version M3x0.5 Thread Depth: 9mm		2 Mechanical version #6-32UNC Thread Depth: 0.35mm		3 Mechanical version M3x0.5 Thread Depth: 9mm		4 Mechanical version #6-32UNC Thread Depth: 0.35mm
	5 Mechanical version M3x0.5 Thread Depth: 8mm		6 Mechanical version #6-32UNC Thread Depth: 0.35mm		7 Mechanical version M6x1.0 Thread Depth: 15mm		8 Mechanical version 1/4-20UNC Thread Depth: 0.6mm

Drawings & Dimensions



Example: XLA-15-M3-B-N

flatness of 0.1mm required inside the module area

