



XSA-274-T V3 Xicato spacer for conversion XTM to XSM

Features & Benefits

The XSA-274-T V3 is a spacer made out of highly conducted aluminium, which makes that after assembly the overall height of the Xicato XTM LED module becomes the same as the Xicato XSM LED module. In this way you can use both the Xicato XTM and XSM LED module in the same mechanics of your luminaire design.

With a perfect mounting space flatness these spacers guarantee an optimal heat transfer from the LED module towards the LED cooler.

This spacer is foreseen from a pre-cut graphite thermal interface pad eGraf HT1205A and a cable strain relief on the bottom side.

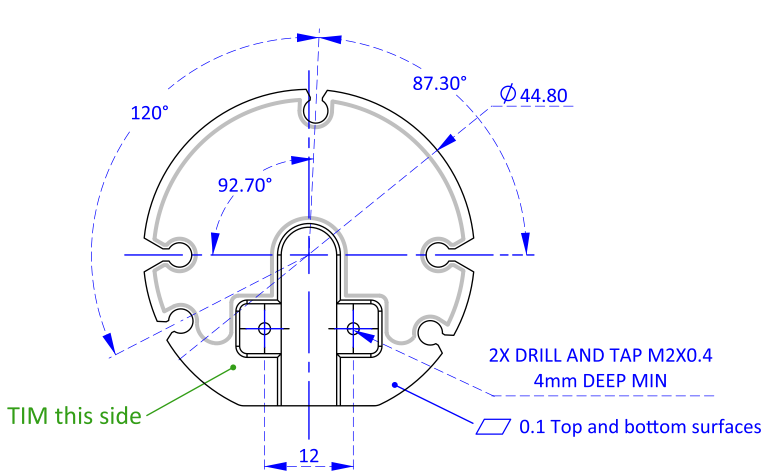


Order Information

XICATO

Article number	Description
XSA-274-T V3	With thermal pad eGraf HT1205A

Drawings & Dimensions



Example: XSA-274-T V3

