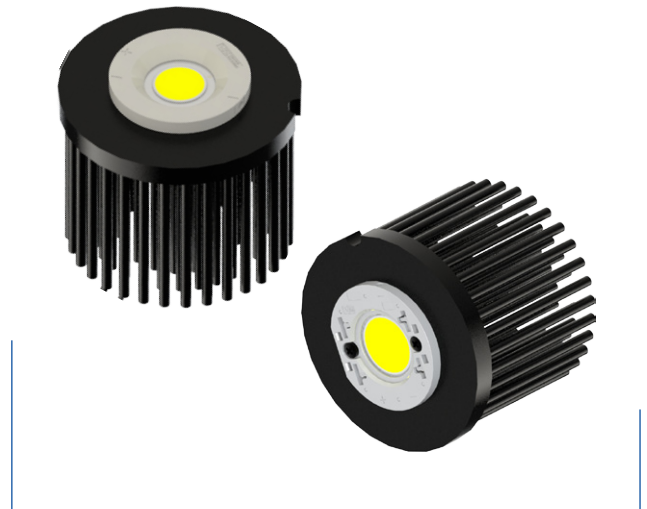


LPF8668-ZHC Vossloh Schwabe Pin Fin LED Cooler ø86mm

Features & Benefits

- The LPF8668-ZHC Zhaga Pin Fin LED cooler is specifically designed for luminaires using Vossloh Schwabe LED modules. Mechanical compatibility with direct mounting of the LED modules to the LED cooler and thermal performance matching the lumen packages.
- For spot and downlight designs from 3,300 to 6,500 lumen
- Thermal resistance Rth 1.46°C/W
- Modular design with mounting holes foreseen for Vossloh Schwabe Luga Shop Gen6 DMS120/12C, 125/126/128, 18B by use of Luga Shop Kit LED holder.
- Diameter 86mm - Height 68mm
Other heights on request
- Better performance under tilted position
- Forged from highly conductive aluminum



Order Information

 Zhaga

 VS LIGHTING SOLUTIONS

Example : LPF8668-ZHC-B

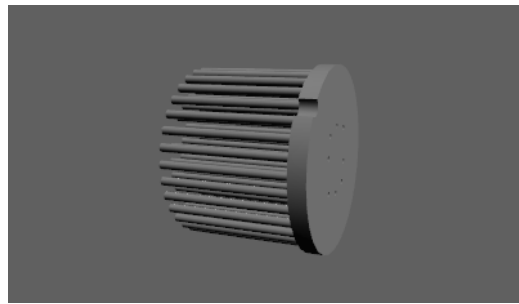
LPF8668-ZHC- **1**

- 1** Anodising Color
- B - Black
 - C - Clear
 - Z - Custom (specify)

Simple mounting with M3 screws
Screws are available from MechaTronix

LPF8668-ZHC Pin Fin LED Cooler ø86mm

Product Details



Model n°

LPF8668-ZHC

Dimension (mm) ^{*1}	ø86 x h68
Volume (mm ³)	92981
Cooling Surface (mm ²)	68850
Weight (gr)	251
Thermal Resistance (°C/W) ^{*2}	1.46
Power Pd (W) ^{*3}	34
Heat Sink Material	AL1070

^{*1} 3D files are available in ParaSolid, STP and IGS on request

^{*2} The thermal resistance Rth is determined with a calibrated heat source of 30mm x 30mm central placed on the heat sink, Tamb 40° and an open environment. Reference data @ heat sink to ambient temperature rise Ths-amb 50°C
The thermal resistance of a LED cooler is not a fix value and will vary with the applied dissipated power Pd

^{*3} Dissipated power Pd. Reference data @ heat sink to ambient temperature rise Ths-amb 50°C
The maximal dissipated power needs to be verified in function of required case temperature Tc or junction temperature Tj and related to the estimated ambient temperature where the light fixture will be placed
Please be aware the dissipated power Pd is not the same as the electrical power Pe of a LED module

To calculate the dissipated power please use the following formula: $Pd = Pe \times (1 - \eta_L)$

Pd - Dissipated power

Pe - Electrical power

η_L = Light efficiency of the LED module

Notes:

- MechaTronix reserves the right to change products or specifications without prior notice.
- Mentioned models are an extraction of full product range.
- For specific mechanical adaptations please contact MechaTronix.