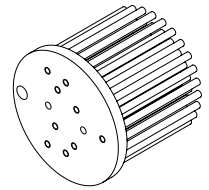




LPF6050-ZHC



ø60 - H50 (mm)  
Rth 4.0 °C/W - Power Pd 12W

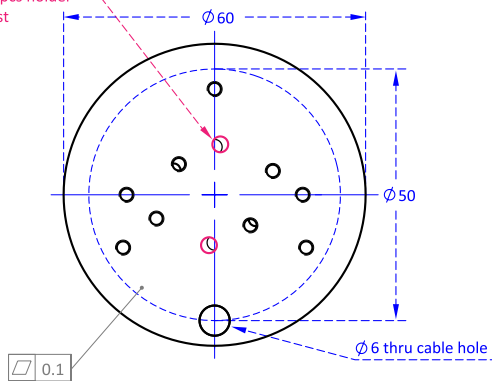
[MORE PRODUCT DETAILS](#)

## LPF6050-ZHC Pin Fin LED Cooler ø60mm

### Drawings & Dimensions

Unit: mm

(2x) ø3.15 thru base  
For scalable 2pcs holder  
alignment post



(9x) M3x0.5 thru base

