

ModuLED Optics Adaptor for Reflector & Lens connection

Features & Benefits

- Specific designed adaptor plate for assembly of CoolBay® Lens and CoolBay® Reflectors on ModuLED Mega / Giga series high bay LED Coolers.
- With the ModuLED optics adaptor you get an unprecedented flexibility in choices of optics. Equipping your high bays with a wide variety of reflectors in metal or plastic, adding lenses for a controlled light image,... it all becomes plug-and-play.
- With the Dust Protection Plate you can prevent dust accumulation in the lens or reflector cover through open structure of the ModuLED cooling fins.



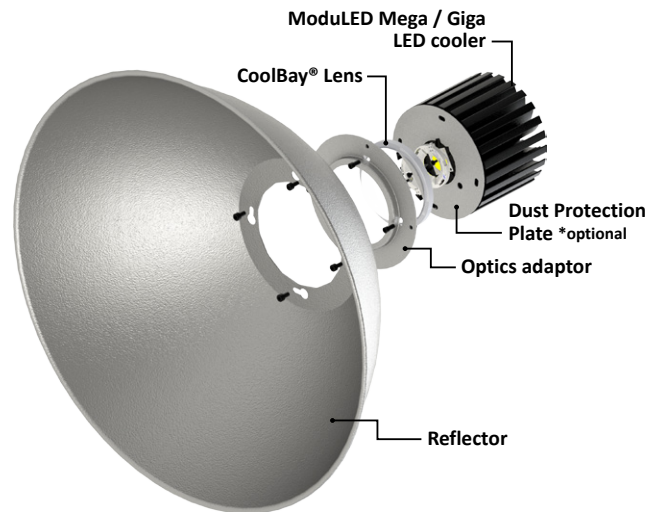
Order Information

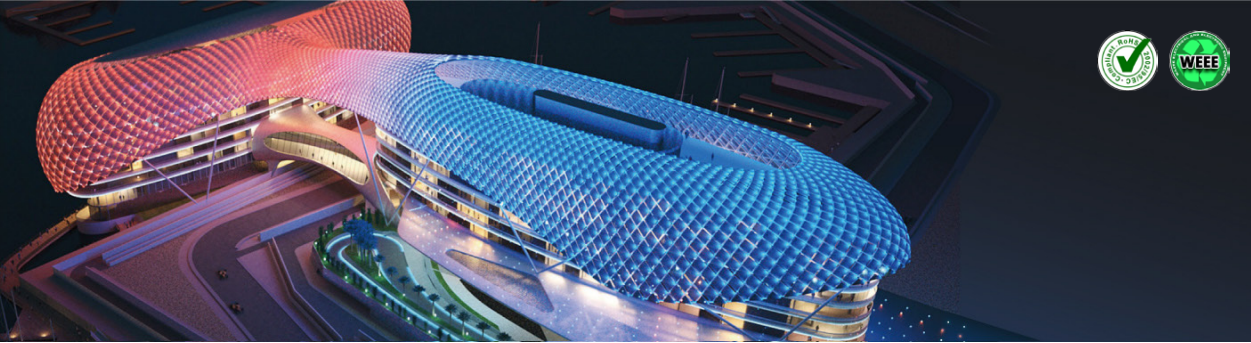
Example : ModuLED Mega optics adaptor

ModuLED **1** optics adaptor

- 1** LED cooler compatibility
 Mega - for ModuLED Mega-HBG
 Giga - for ModuLED Giga-HBG

Optics total assembly example:





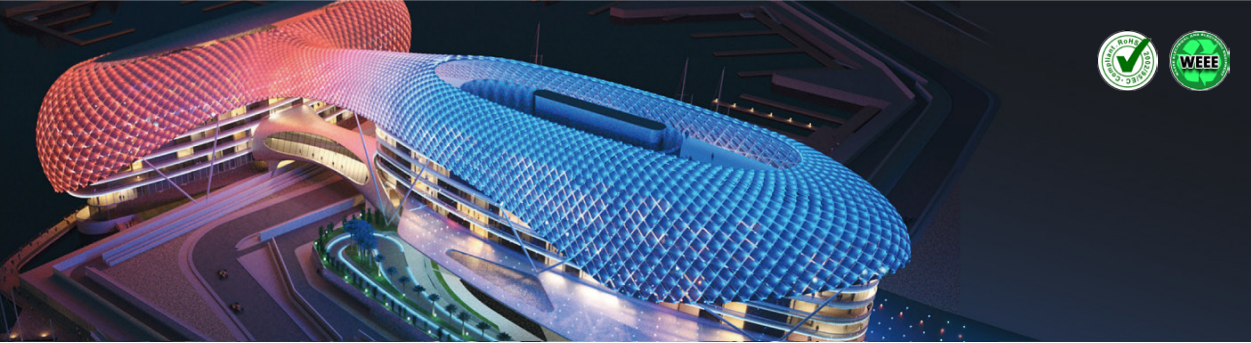
ModuLED Optics Adaptor for Reflector & Lens connection

Product Details

| Model n° | ModuLED Mega optics adaptor | ModuLED Giga optics adaptor |
|----------------|-----------------------------|-----------------------------|
| Dimension (mm) | ø158 - H12.2 | ø158 x H12.2 |
| Weight (gr) | 60 | 60 |
| Material | AL-1050 | AL-1050 |

Notes:

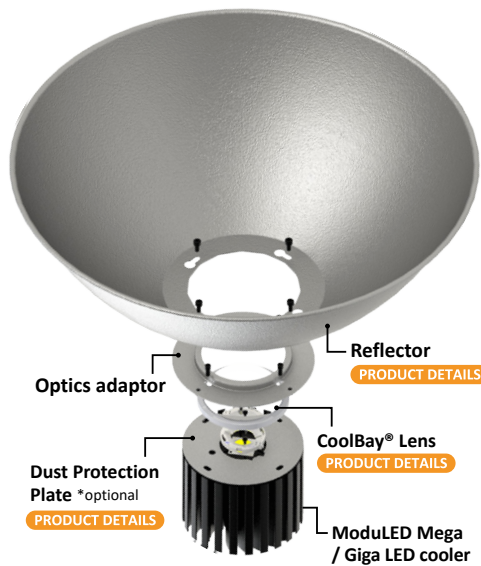
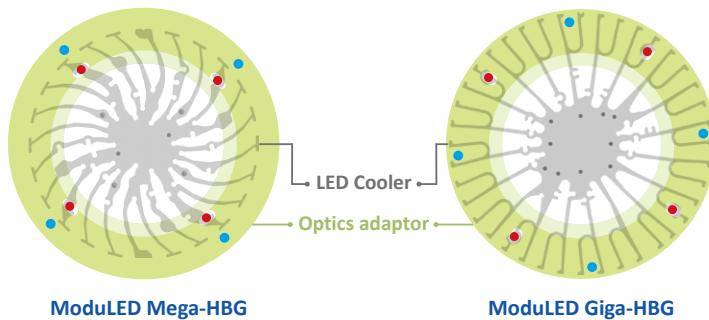
- MechaTronix reserves the right to change products or specifications without prior notice.
- Mentioned models are an extraction of full product range.
- For specific mechanical adaptations please contact MechaTronix.



ModuLED Optics Adaptor for Reflector & Lens connection

Mounting Instructions

Mounting indicator marks overview on ModuLED HBG series LED Coolers:



Adaptor plate for connection of reflector & lens on ModuLED HBG series

With the ModuLED Mega / Giga optics adaptor you get an unprecedented flexibility in choices of optics. Equipping your high bays with a wide variety of reflectors in metal or plastic, adding lenses for a controlled light image,... it all becomes plug-and-play.

Model Names

- ModuLED Mega optics adaptor v2
- ModuLED Giga optics adaptor v2

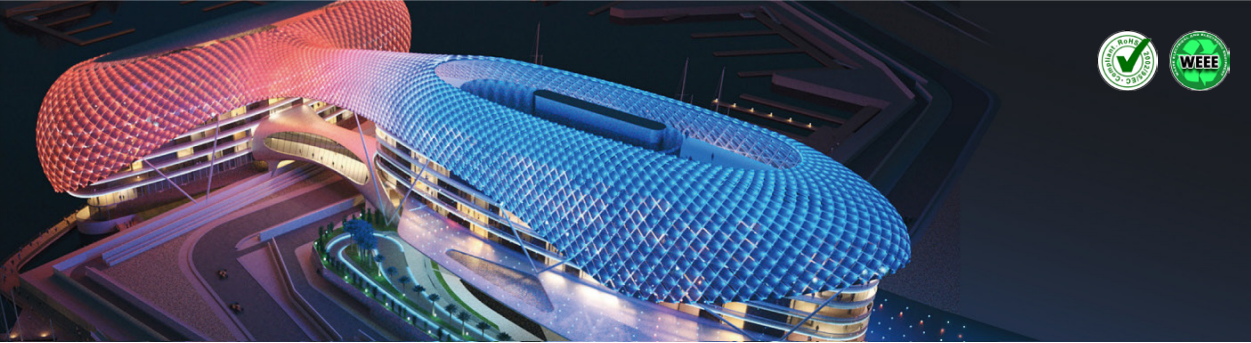
CoolBay® Lens & Dust Protection Plate Mounting

- Direct mounting on the LED cooler with 4 MTX screws M5 x 10mm
Red indicator marks

CoolBay® Reflector Mounting

- Direct mounting on optics adaptor with 4 screws M5 x 6mm
Blue indicator marks

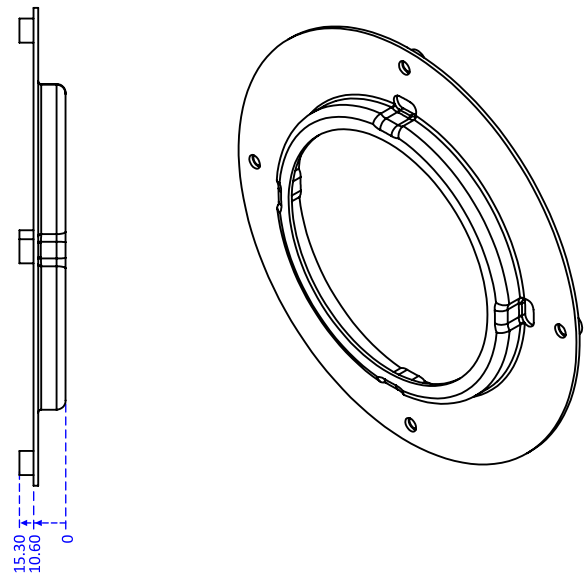
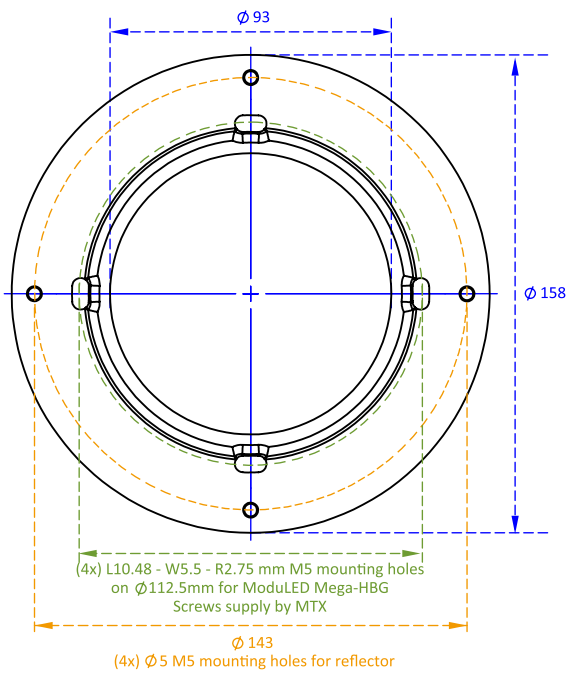
* Dust Protection Plate is an optional accessory go along with lens or any reflector with cover to avoid dust accumulation - no needed when you equip your high bay with a non-cover reflector only.



ModuLED Optics Adaptor for Reflector & Lens connection

Drawings & Dimensions

ModuLED Mega optics adaptor



ModuLED Giga optics adaptor

