

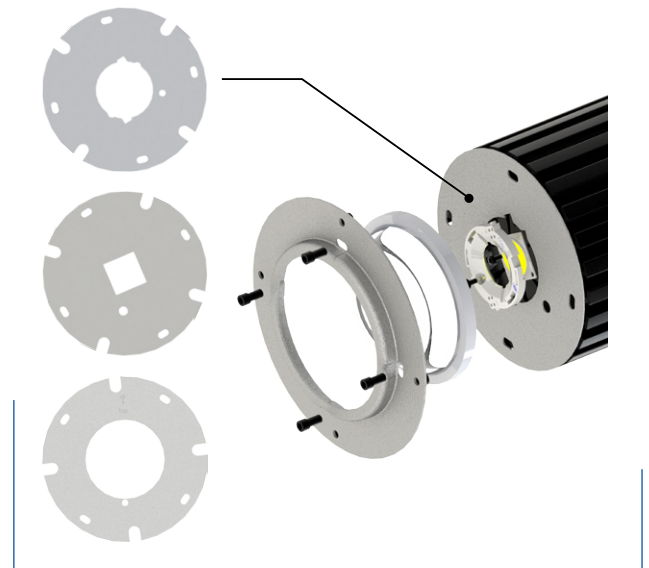


Dust protection plate

- prevent lens dust accumulation for ModuLED LED coolers

Features & Benefits

- Designed for the combination of the MechaTronix ModuLED Mega / Giga series high bay LED Coolers equipped with lens or any reflector with cover to avoid dust accumulation through open structure of the cooling fins.
- Compatible with various LED sizes - COB 28x28mm, 38x38mm, Zhaga Book 3 standards LED modules and COBs with Bender+Wirth LED holders.
- Cable hole position foreseen for Mean Well HBG-60, HBG-100, HBG-160 LED driver.



Order Information

Example : DPP-Mega-2828-01

(28mm x 28mm COB, Cable hole position for HBG-60 LED driver)

DPP- 1 - 2 - 3

- 1 LED cooler compatibility**
Mega: for ModuLED Mega-HBG
Giga: for ModuLED Giga-HBG
- 2 LED dimension (mm)**
2828: 28x28mm LED CoB
3838: 38x38mm LED CoB
BW431: with Bender +Wirth 28x28mm COB holder
BW458: with Bender+Wirth 38x38mm COB holder
Zhaga3: with any Zhaga book 3 LED module
- 3 MW HBG driver cable hole position**
01: for MW HBG-60
02: for MW HBG-100
None: for MW HBG-160



Dust protection plate

- prevent lens dust accumulation for ModuLED LED coolers

Product Details

Model n°	 DPP-Mega-2828-01	 DPP-Mega-2828-02	 DPP-Giga-2828
Dimension (mm)	ø134.6	ø134.6	ø152
Weight (gr)	38	38	41
Material	AL-1050	AL-1050	AL-1050
Model n°	 DPP-Mega-3838-01	 DPP-Mega-3838-02	 DPP-Giga-3838
Dimension (mm)	ø134.6	ø134.6	ø152
Weight (gr)	36	36	41
Material	AL-1050	AL-1050	AL-1050
Model n°	 DPP-Mega-ZHAGA3-01	 DPP-Mega-ZHAGA3-02	 DPP-Giga-ZHAGA3
Dimension (mm)	ø134.6	ø134.6	ø152
Weight (gr)	32	32	41
Material	AL-1050	AL-1050	AL-1050

Notes:

- MechaTronix reserves the right to change products or specifications without prior notice.
- Mentioned models are an extraction of full product range.
- For specific mechanical adaptations please contact MechaTronix.



Dust protection plate

- prevent lens dust accumulation for ModuLED LED coolers

Product Details

Model n°	DPP-Mega-BW431	DPP-Giga-BW431
Dimension (mm)	ø134.6	ø152
Weight (gr)	33	40
Material	AL-1050	AL-1050

Model n°	DPP-Mega-BW458	DPP-Giga-BW458
Dimension (mm)	ø134.6	ø152
Weight (gr)	27	35.5
Material	AL-1050	AL-1050

Notes:

- MechaTronix reserves the right to change products or specifications without prior notice.
- Mentioned models are an extraction of full product range.
- For specific mechanical adaptations please contact MechaTronix.

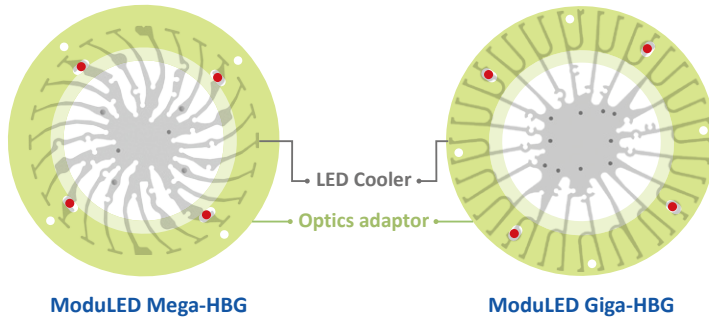


Dust protection plate

- prevent lens dust accumulation for ModuLED LED coolers

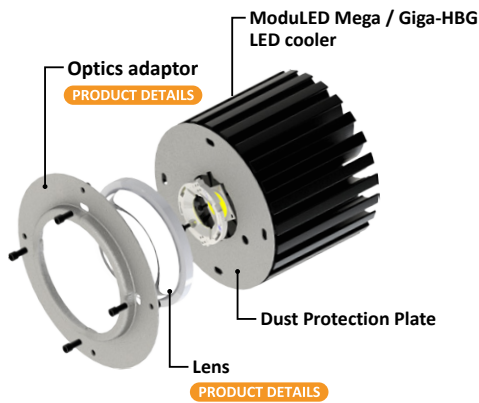
Mounting Instructions

Mounting indicator marks overview on ModuLED HBG series LED Coolers:



ModuLED Mega-HBG

ModuLED Giga-HBG



Dust Protection Plate

When you are using lenses on the ModuLED high bay coolers, the open structure of the cooling fins might lead to dust accumulation in the lens or reflector cover. To avoid this MechaTronix has developed a range of dust protection plates (DPP) which go along with various COB sizes and LED holders. This option is of course not needed when you equip your high bay with a non-cover reflector only.

Model Names

- DPP-Mega-2828-01
- DPP-Mega-2828-02
- DPP-Mega-3838-01
- DPP-Mega-3838-02
- DPP-Mega-ZHAGA3-01
- DPP-Mega-ZHAGA3-02
- DPP-Mega-BW458
- DPP-Mega-BW431
- DPP-Giga-2828
- DPP-Giga-3838
- DPP-Giga-ZHAGA3
- DPP-Giga-BW458
- DPP-Giga-BW431

Mounting

- Mount in between the LED cooler & lens / reflector by use with optics adaptor
- 4 MTX screws M5 x 6mm
- Red indicator marks



Dust protection plate

- prevent lens dust accumulation for ModuLED LED coolers

Drawings & Dimensions

Example: DPP-Mega-2828-01

