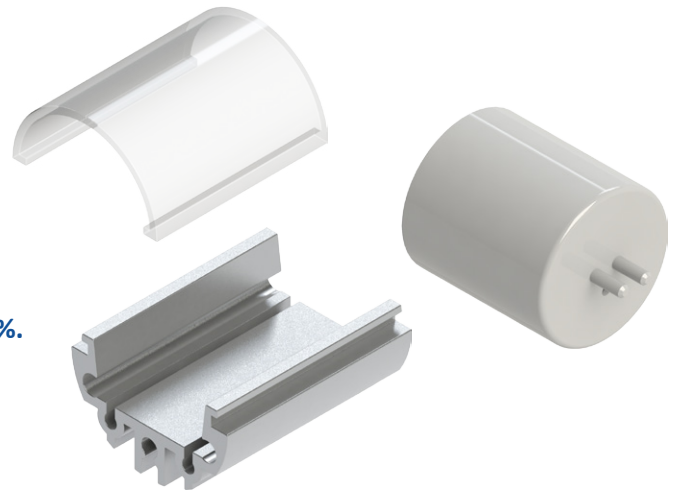


LBP16 LED Bar Profile for 16mm Strip or PCB

Features & Benefits

- LED Bar Profile for LED strips and linear profile LED lighting with maximum width 16mm.
- Extruded from highly conductive aluminium AL-6063 T5. Clear anodise finishing - other colours on request.
- Standard lengths T5/T6, 560mm, 570mm and 1178mm without MOQ. Other lengths possible with MOQ of 1000pcs.
- Optional lens cover LBP16COV with standard transparency 80%. Made from PC-94V2 up to 125°C. UL and SGS approved.
- Optional end caps for replacement fittings LBP16CAP.



Order Information

Remarks:

Maximum extrusion lengths for LED Bar Profile and lens cover 2000mm due to transportation limitations

Available optional anodizing colours: black - blue

In house afterwork with CNC possible

Painting in any RAL/Pantone colours available

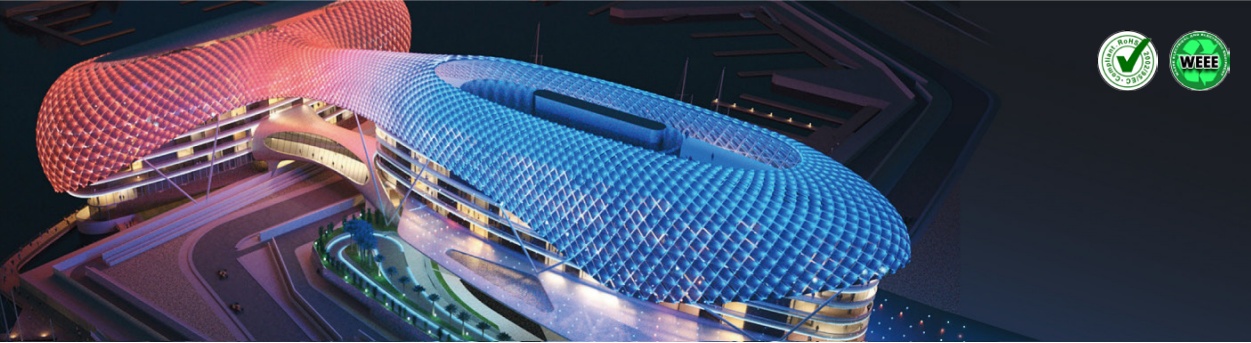
For different transparency of lens cover: MOQ 1000pcs
For different colouring of end caps: MOQ 2000pcs

Example : LBP16EXT-560

LBP16 **1** - **2**

- 1** EXT = extruded LED Bar Profile
Width 25.39mm - Height 15.06mm
For LED strip or PCB cooling
PCB width 16mm max, height 1mm max

COV = Lens Cover standard transparency 80%
CAP = End cap (1pc) for replacement fitting
- 2** LED Bar Profile length (mm)
Standard lengths:
560mm (T5)
570mm (T5)
1178mm (T6)
Other lengths on request with MOQ of 1000pcs



LBP16 LED Bar Profile for 16mm Strip or PCB

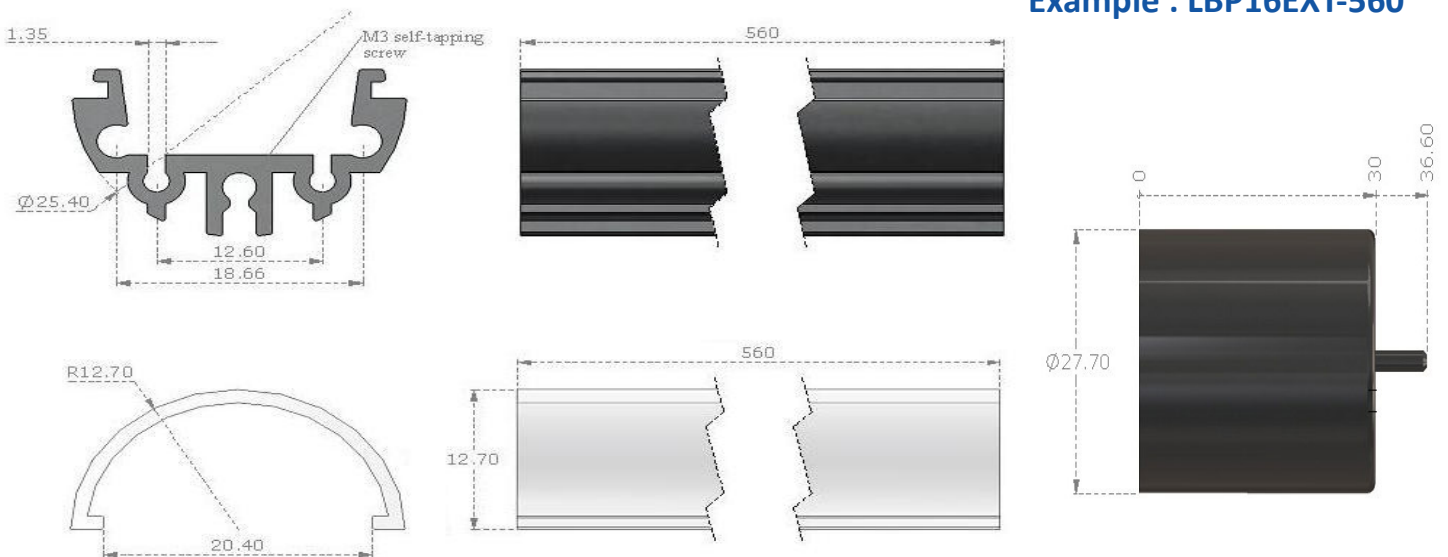
Product Details

	Total Height ^{mm}	Volume ^{mm³}	Cooling Surface ^{mm²}	Weight ^{gr}	PCB Width ^{mm²}	PCB Height ^{mm²}	Material
LBP16EXT-560	15.06	56393.66	78682.49	152.26	16	1	AL-6063 T5
LBP16EXT-570	15.06	57400.69	80083.94	154.98	16	1	AL-6063 T5
LBP16EXT-1178	15.06	118628.1	165291.97	320.30	16	1	AL-6063 T5
LBP16COV-560	12.7	N/A	N/A	29.15	N/A	N/A	PC-94V2
LBP16COV-570	12.7	N/A	N/A	29.67	N/A	N/A	PC-94V2
LBP16COV-1178	12.7	N/A	N/A	61.32	N/A	N/A	PC-94V2
LBP16CAP	27.7	N/A	N/A	N/A	N/A	N/A	PC/ABS-94V0

Notes:

1. MechaTronix reserves the right to change products or specifications without prior notice.
2. Mentioned models are an extraction of the full product range.
For specific mechanical adaptations please contact MechaTronix.
3. All these types are made by extrusion process from highly conductive aluminum type AL6063 T5 with a typical Thermal Conductivity of 209W/m-K.

Drawings & Dimensions



Example : LBP16EXT-560