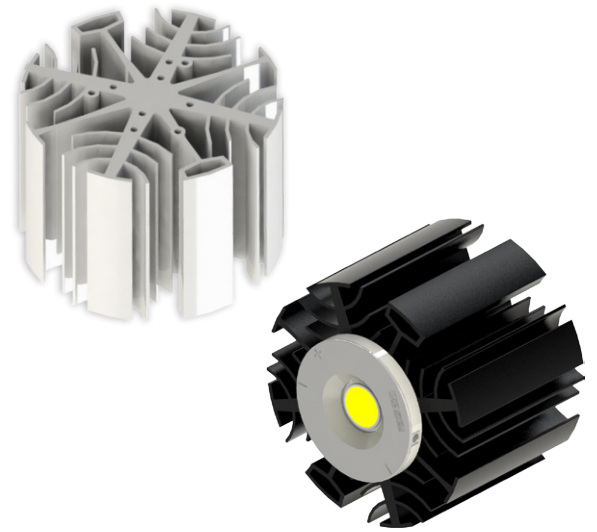


CoolStar® 86 Designer series Vossloh Schwabe LED Star Cooler ø86mm

Features & Benefits

- For spot and downlight designs from 2,300 to 6,100 lumen
- Thermal resistance range Rth 1.56 - 2.08°C/W
- Modular design with mounting holes foreseen for Vossloh Schwabe Luga Shop Gen6 DMS125, 126, 128 by use of Luga Shop Kit LED holder.
- Designer series with high end looks and extra functionality - wire pockets at each side of the LED cooler
- Diameter 86mm - Standard height 30mm & 60mm
Other heights on request
- Black anodized or white electro-coating finishing



Order Information



Example : CoolStar® Black 8630

CoolStar® **1** 86 **2**

- 1** Finishing Color
Black - Black anodized
White - White electro-coating
- 2** Height (mm)

Simple mounting with M3 screws
Recommended screw force 6lb/in
Screws are available from MechaTronix

CoolStar® 86 Designer series LED Star Cooler ø86mm

Product Details

| Model n° | CoolStar® 8630 | CoolStar® 8660 |
|---|----------------|----------------|
| Dimension (mm) ^{*1} | ø86 x h30 | ø86 x h60 |
| Volume (mm ³) | 57468 | 115212 |
| Cooling Surface (mm ²) | 49907 | 95532 |
| Weight (gr) | 155 | 311 |
| Thermal Resistance (°C/W) ^{*2} | 2.08 | 1.56 |
| Power Pd (W) ^{*3} | 24 | 32 |
| Heat Sink Material | AL6063-T5 | AL6063-T5 |

^{*1} 3D files are available in ParaSolid, STP and IGS on request

^{*2} The thermal resistance Rth is determined with a calibrated heat source of 15mm x 15mm central placed on the heat sink, Tamb 40° and an open environment. Reference data @ heat sink to ambient temperature rise Ths-amb 50°C
The thermal resistance of a LED cooler is not a fix value and will vary with the applied dissipated power Pd

^{*3} Dissipated power Pd. Reference data @ heat sink to ambient temperature rise Ths-amb 50°C
The maximal dissipated power needs to be verified in function of required case temperature Tc or junction temperature Tj and related to the estimated ambient temperature where the light fixture will be placed
Please be aware the dissipated power Pd is not the same as the electrical power Pe of a LED module

To calculate the dissipated power please use the following formula: $Pd = Pe \times (1 - \eta_L)$

Pd - Dissipated power

Pe - Electrical power

η_L = Light efficiency of the LED module

Notes:

- MechaTronix reserves the right to change products or specifications without prior notice.
- Mentioned models are an extraction of full product range.
- For specific mechanical adaptations please contact MechaTronix.