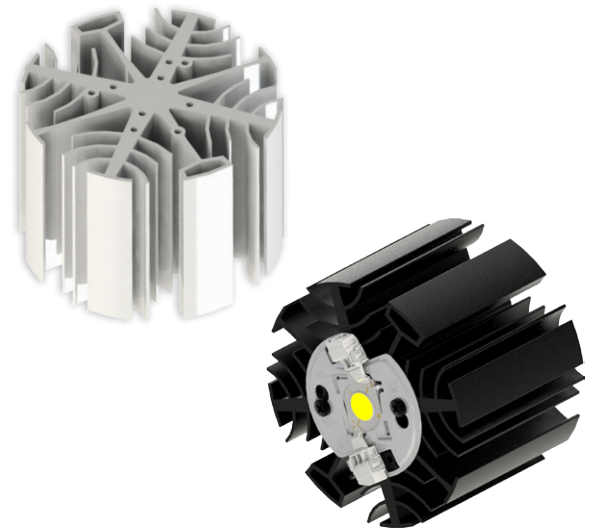


## CoolStar® 86 Designer series Nichia LED Star Cooler ø86mm

### Features & Benefits

- For spot and downlight designs from 2,300 to 6,100 lumen
- Thermal resistance range Rth 1.56 - 2.08°C/W
- Modular design with mounting holes foreseen for Nichia NFCWL036/048/060/072B, NFCWD084/096B, NFCWJ108/120B, NFDWJ130B, NVNWS007Z, NJCWS024Z, NVEWL016/024Z LED COB by use of LED holder.
- Designer series with high end looks and extra functionality - wire pockets at each side of the LED cooler
- Diameter 86mm - Standard height 30mm & 60mm  
Other heights on request
- Black anodized or white electro-coating finishing



### Order Information



Example : CoolStar® Black 8630

CoolStar® **1** 86 **2**

- 1** Finishing Color  
Black - Black anodized  
White - White electro-coating
- 2** Height (mm)

Simple mounting with M3 screws  
Recommended screw force 6lb/in  
Screws are available from MechaTronix

## CoolStar® 86 Designer series LED Star Cooler ø86mm

### Product Details

Model n°	CoolStar® 8630	CoolStar® 8660
Dimension (mm) <sup>*1</sup>	ø86 x h30	ø86 x h60
Volume (mm <sup>3</sup> )	57468	115212
Cooling Surface (mm <sup>2</sup> )	49907	95532
Weight (gr)	155	311
Thermal Resistance (°C/W) <sup>*2</sup>	2.08	1.56
Power Pd (W) <sup>*3</sup>	24	32
Heat Sink Material	AL6063-T5	AL6063-T5

<sup>\*1</sup> 3D files are available in ParaSolid, STP and IGS on request

<sup>\*2</sup> The thermal resistance Rth is determined with a calibrated heat source of 15mm x 15mm central placed on the heat sink, Tamb 40° and an open environment. Reference data @ heat sink to ambient temperature rise Ths-amb 50°C  
The thermal resistance of a LED cooler is not a fix value and will vary with the applied dissipated power Pd

<sup>\*3</sup> Dissipated power Pd. Reference data @ heat sink to ambient temperature rise Ths-amb 50°C  
The maximal dissipated power needs to be verified in function of required case temperature Tc or junction temperature Tj and related to the estimated ambient temperature where the light fixture will be placed  
Please be aware the dissipated power Pd is not the same as the electrical power Pe of a LED module

To calculate the dissipated power please use the following formula:  $Pd = Pe \times (1 - \eta_L)$

Pd - Dissipated power

Pe - Electrical power

$\eta_L$  = Light efficiency of the LED module

#### Notes:

- MechaTronix reserves the right to change products or specifications without prior notice.
- Mentioned models are an extraction of full product range.
- For specific mechanical adaptations please contact MechaTronix.