

ø34.5 x H45 (mm)
Rth 8.13 °C/W
Power Pd 6 W

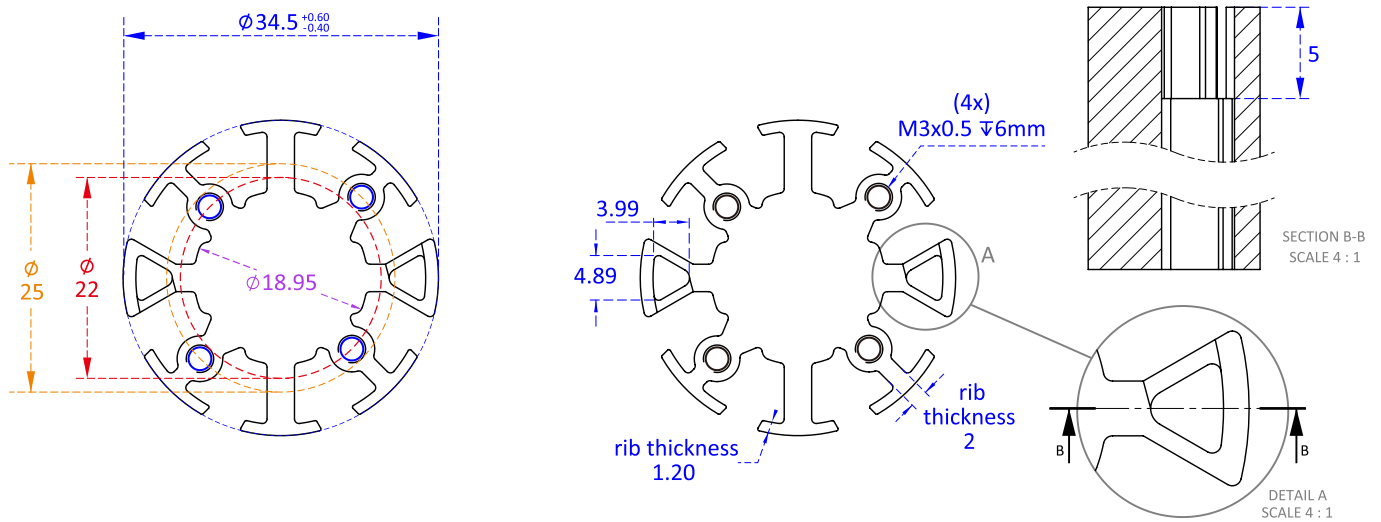
MORE PRODUCT DETAILS

CoolStar® 3445 Designer LED Star Cooler ø34.5mm

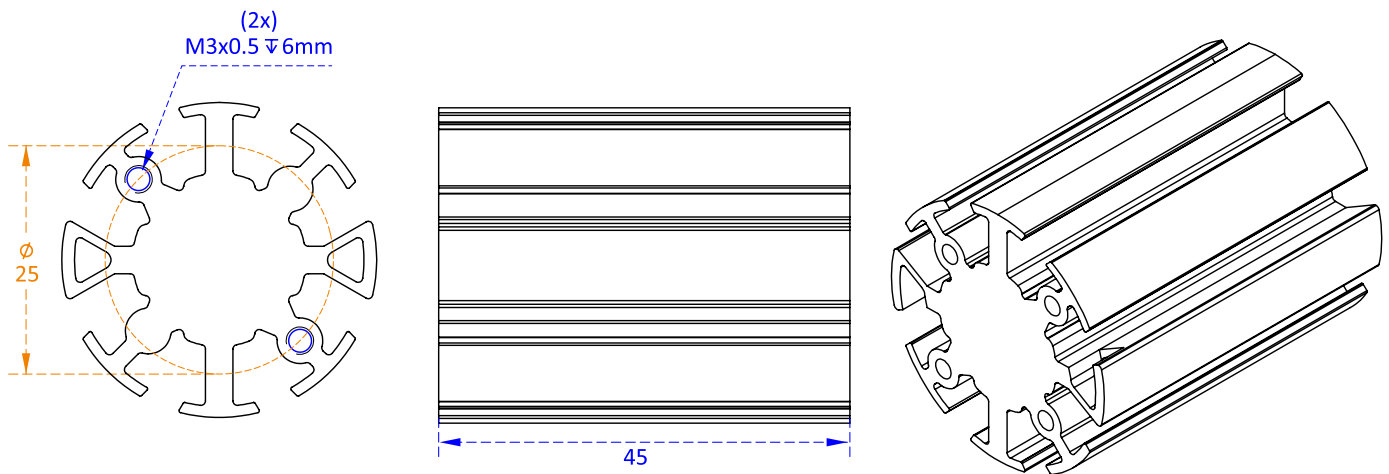
Drawings & Dimensions

Unit: mm

Front - LED & optics side



Back



General tolerance (mm)	0-12	12-25	25-38	38-50	50-100
	± 0.25	± 0.30	± 0.35	± 0.40	± 0.65