

MechaTronix in LED

– DRAWING & DIMENSIONS –
CoolBeam® SQ mounting kits for 2x2MX LED Coolers



Product Details

CoolBeam® SQ mounting kits

Model n°	CoolBeam® SQ3-01	CoolBeam® SQ4-01
Dimension (mm)	W107mm - L316mm - H150.5mm	W107mm - L418mm - H150.5mm
Weight (gr)	2485	3125
Material	SPCC	SPCC
Surface finishing	Black electro-coating	Black electro-coating

CoolBeam® SQ4-01 mount accessories

Model n°	CoolBeam® SQ Dual mount bracket	CoolBeam® SQ Triple mount bracket
Dimension (mm)	W240mm - L418mm - H125mm	W370mm - L418mm - H125mm
Weight (gr)	1387	2034
Material	SPCC	SPCC
Surface finishing	Black electro-coating	Black electro-coating

Notes:

- MechaTronix reserves the right to change products or specifications without prior notice.
- Mentioned models are an extraction of full product range.
- For specific mechanical adaptations please contact MechaTronix.

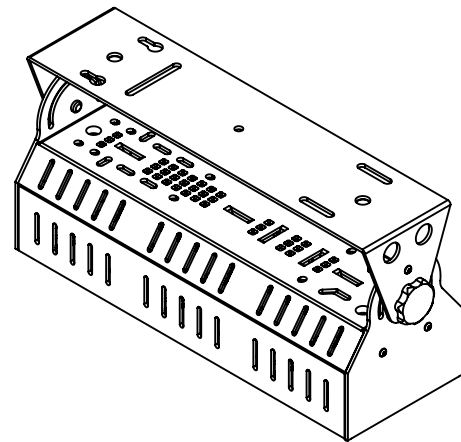
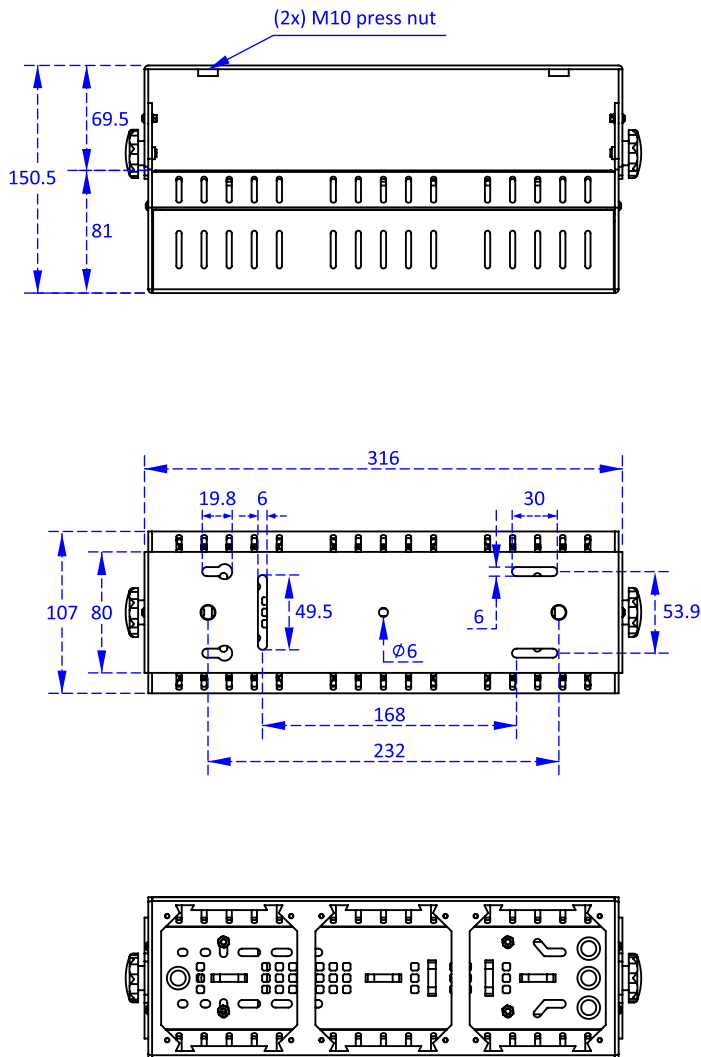
MechaTronix in LED

– DRAWING & DIMENSIONS –
CoolBeam® SQ mounting kits for 2x2MX LED Coolers



Drawings & Dimensions

CoolBeam® SQ3-01



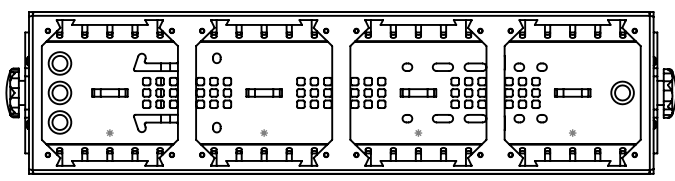
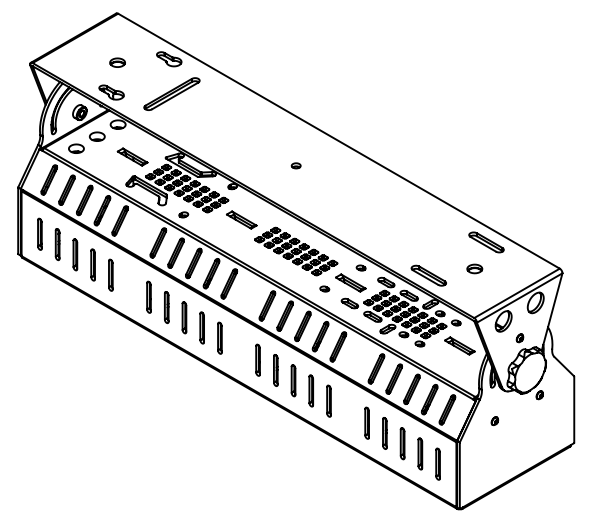
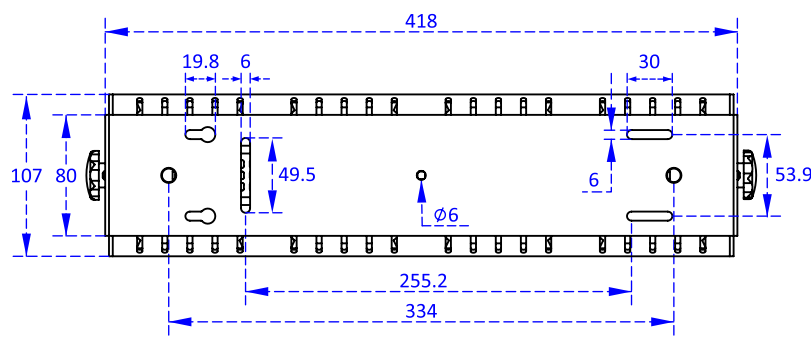
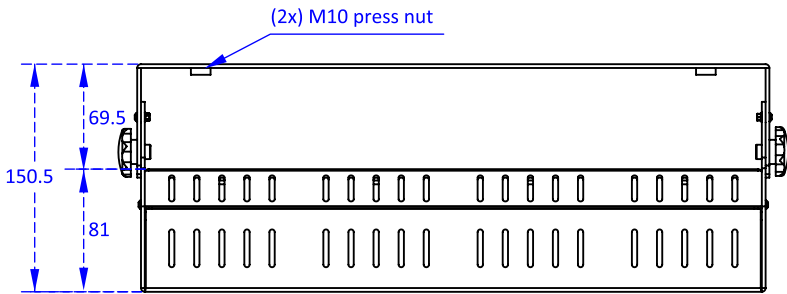
MechaTronix in LED

– DRAWING & DIMENSIONS –
CoolBeam® SQ mounting kits for 2x2MX LED Coolers



Drawings & Dimensions

CoolBeam® SQ4-01



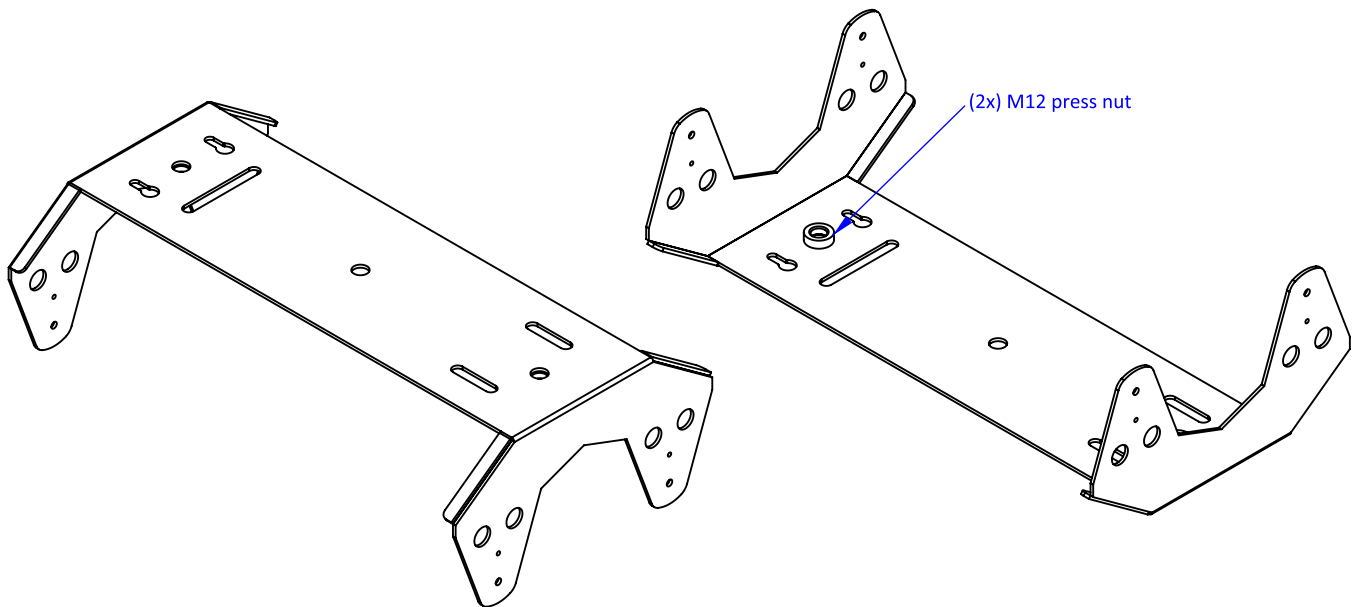
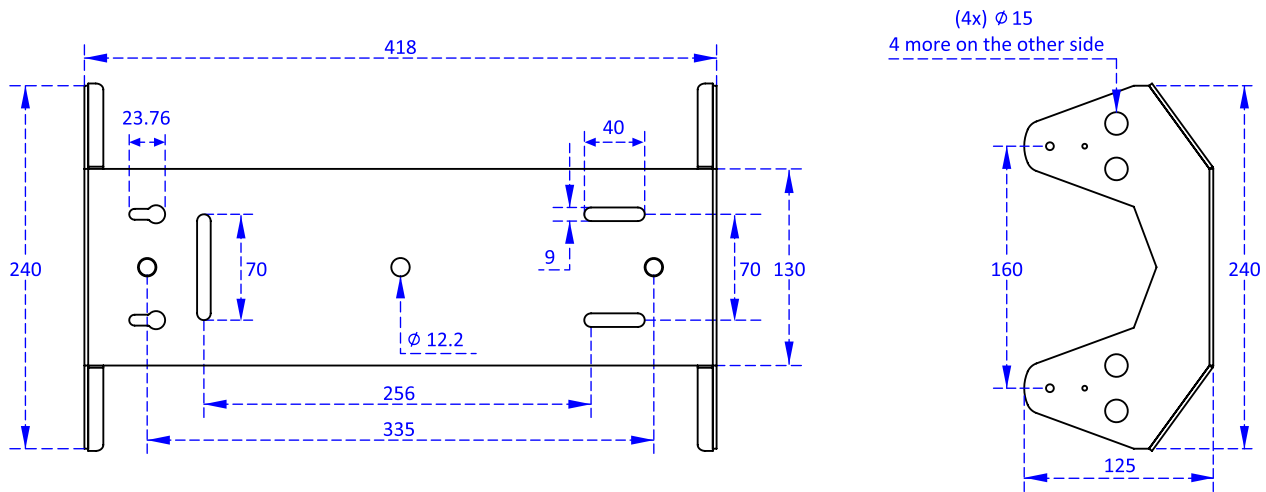
MechaTronix in LED

– DRAWING & DIMENSIONS –
CoolBeam® SQ mounting kits for 2x2MX LED Coolers



Drawings & Dimensions

CoolBeam® SQ Dual mount bracket



MechaTronix in LED

– DRAWING & DIMENSIONS –
CoolBeam® SQ mounting kits for 2x2MX LED Coolers



Drawings & Dimensions

CoolBeam® SQ Triple mount bracket

